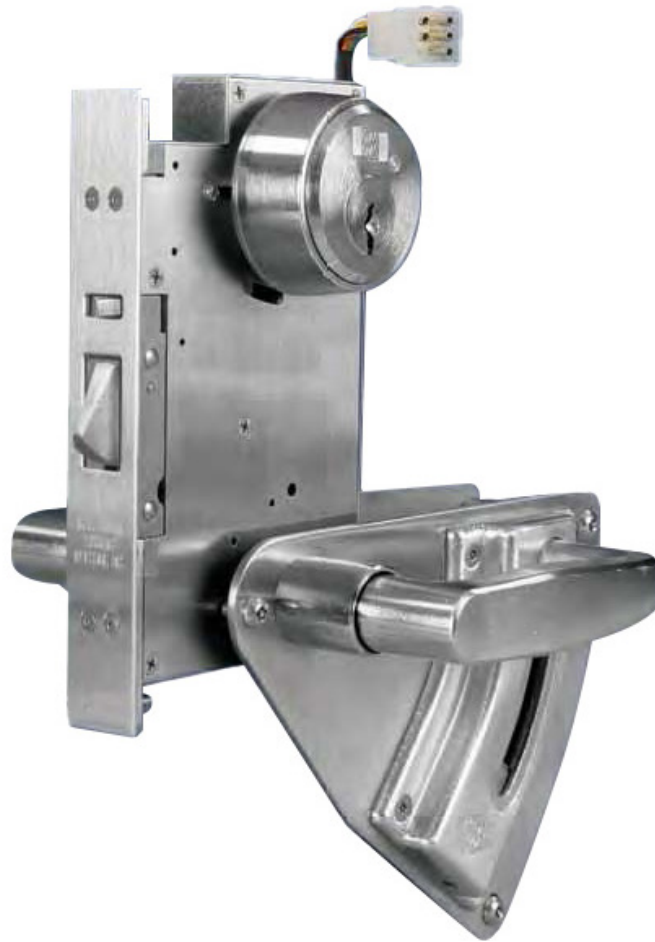




1050 Deadbolt Lock



RR Brink



For More information please call 210-123-4567

Mechanical Locks

1050 Deadbolt Lock



APPLICATION

The Model 1050 is a deadlocking latch that affords electric (solenoid actuated) remote control of the knob/lever trim set. It is appropriate for supervised minimum/medium security areas in detention facilities such as passage and office doors. RRBS does not recommend the 1050 for inmate cell doors.

One knob/lever can be electrically locked and unlocked with the opposite either always active or inactive. Also, both knobs/levers can be electrically locked and unlocked simultaneously. (See Lock Function section on the reverse of this page.) An internal limit switch is standard to signal at the remote control panel the dead-locked or unlocked status of the latch. An inactive knob spins freely to prevent forcing. The optional Lever Escort can be substituted for the standard knobs.

The 1050 is available in one mode— Fail Secure (FSE). With the FSE mode, the controlled knob or lever is locked without power and unlocked with power and, thus, would revert to the locked condition in the event of a power failure. The latch can always be retracted by key. Since the 1050 is door mounted, a through wire electric transfer hinge or other flexible power connection is required between the door frame and the door.

STANDARD FEATURES

- Lock case, armor front, springs, and working parts are made of stainless steel.
- Solid brass knob trim cannot be removed when the door is in the closed and locked position – all mounting screws are concealed. A locked or inactive knob spins freely to prevent forced breakage of the lock works.
- Stainless steel rotary movement latch with a full 3/4" throw.
- Stainless steel strike plate – synthetic coated for reduced friction.
- Working parts made of copper alloy or stainless steel.
- Solenoid – constant duty tubular type – 24VDC, 0.33 amp.
- Lock Status Switch (LSS) – Integral limit switch to monitor latch status, (i.e. deadlocked or unlocked) by lights, alarms, and/or other door condition indicators. Commonly connected in combination with a door position switch to give positive indication that a door is in both the closed and locked position.
- Indication Module (specify IM) – For fail secure mode only, plug-in relay module that serves to signal when an electrically controlled knob/lever is unlocked (e.g. via a red control panel pilot light that also indicates an unlocked latch via the standard lock status switch [LSS]). This feature provides an additional sensor to the LSS for monitoring the 1050FSE's locked/unlocked status.
- • Fitted for mechanical operation via either RRBS proprietary "Mogul" or commercial key cylinder. (Factory supplied key cylinder optional.)
- Exposed Faceplate Finish: Satin Stainless Steel – (ANSI 630, US32D)
- Trim Finish: Satin Chrome on Brass (ANSI 626, US26D)

For More information please call 210-123-4567



Mechanical Locks

1050 Deadbolt Lock

OPTIONAL FEATURES

- Factory Key Cylinder (specify FKC and all keying information) – High security mortise type with finish matching lock face plate.
- Mogul Cylinder (specify MOG and all keying information) – RRBL six pin mogul cylinder.
- Lever Eskort (specify LE) – Enables the designer/ specifier to satisfy Americans with Disabilities Act (ADA) accessibility requirements and impede intentional, forced lever breakage.
- Rectifier (specify RC) – Attached to 24VDC solenoid lead wires to permit use of 24VAC from transformer.
- Safety Knob (specify SK) – Solid brass, conical shaped knob serves to limit hand grip to prevent holding a door closed. Specifically designed for jail/prison sleeping room doors.

LOCK FUNCTIONS

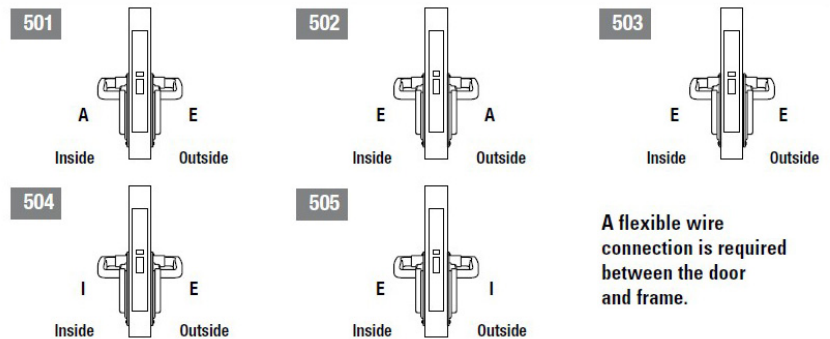
A. Active Knob/Lever – always operates the latchbolt

I. Inactive Knob/Lever – functions as a door pull only – free spinning

E. Electrically Controlled Knob – Latch retraction by key can be one or both sides.

To specify the lock function, determine the following :

- (1) The “inside” and “outside” of the opening.
- (2) The desired knob functions for the “inside” and “outside” and choose the corresponding lock function number (e.g. 1050-503).
- (3) The hand of the lock (refer to “Hand of Locks Reference Guide” for explanation of lock handing)..



ORDERING INFORMATION

Model	Description
1052 FSE	1050 Keyed one side - Fail Secure
1056 FSE	1050 Keyed both sides - Fail Secure

